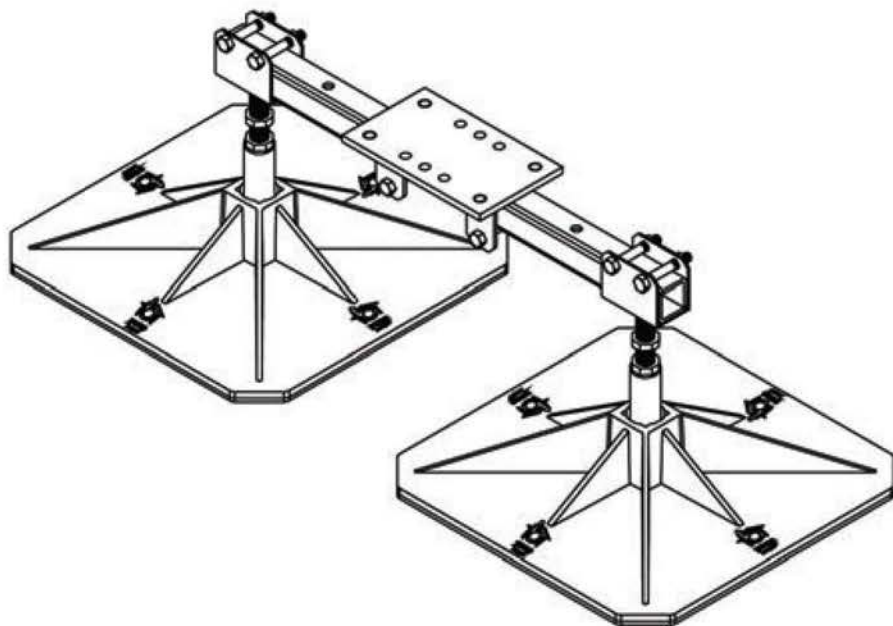




heavy

flexi heavy - flexi twin

Frames for large pipes, air handling units, chillers and packaged plant rooms.



Features & Benefits

- Non-penetrative support
- Flexible design to accommodate late design changes
- Fast and simple installation
- Hot dip galvanised frameworks
- Fully adjustable to roof falls
- Full AutoCAD drawing support
- Load management and wind calculations available
- Full on-site support and surveying services



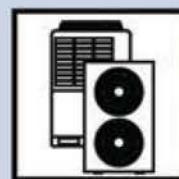
Twin-F-TWIN-500-A shown above with optional single mounting plate (F-TQ-ADJ-S)



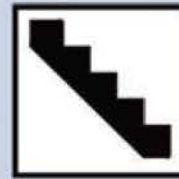
Pump House
 Glaisdale Drive East
 Nottingham
 NG8 4LY
 Tel: +44(0)115 900 5858
www.flexisupportsystems.co.uk
sales@flexisupportsystems.co.uk



everyday



light



access



solar



Flexi

Flexi Twin frames (large/heavy) building services

These robust & versatile free standing modular frames are supplied with fully adjustable leg assemblies in either our 365mm diameter or our 500mm x 500mm polypropylene feet that both incorporate anti-vibration rubber mats adhered to the underside. Robust 50 x 50mm box cross bars are 5mm thick to cater for mid-span point loads resulting in even load dispersal through the framework down to each foot. The optional mounting plate can also be purchased in addition or as an alternative to the adjustment being in the leg assemblies. Therefore a non-adjustable twin is also available.

Typical condenser support utilising 6no. F-TWIN-500-A (secondary steelwork was also supplied by us)



The TWIN/QUAD mounting plate (below) is an optional extra that can be purchased either with or without the secondary upper M16 mounting plate



Double Mounting Plate
Part Code - F-TQ-ADJ-D



Single Mounting Plate
Part Code - F-TQ-ADJ-S

Part Code	Description	Length	Width	Height	Weight	Max Load*
F-TWIN-500	Flexi TWIN (non adjustable legs)	1200 mm	500 mm	300 mm	35 kg	1000 kg
F-TWIN-500-A	Flexi TWIN (adjustable legs)	1200 mm	500 mm	240 - 370mm	37 kg	1000 kg
F-TQ-ADJ-S	Single Mounting Plate	250 mm	150 mm	-	1	-
F-TQ-ADJ-D	Double Mounting Plate	250 mm	150 mm	170 mm (adjustable)	3	-



Flexi

Specification Extract

External services will be supported on Pump House (Tel: +44(0)115 900 5858) fully adjustable and hot dip galvanised flexi twin frameworks utilising 500 x 500mm square polypropylene feet.

Application

Suitable for heavier building services such as large air handling units, chillers and packaged plantrooms. Ideal solution when the criteria to target existing roof beams is necessary. The twin frames can be targeted immediately above to assist direct load transfer to existing roof beams below; a common requisite in weaker roof designs.

Material Specification

- Feet - 500mm square UV stabilised 90% polypropylene, 10% GRP
- Mat - 100% natural rubber, (mat is adhered to the foot)
- Legs - 48mm dia. 3mm steel tube with M24 stud adjuster and 4mm thick U-clevis to top
- Secondary steelwork can be calculated and supplied by request.
- Cross bars - 50x50x5mm SHS (square hollow section) with optional mounting plate if required (e.g. specify T-TQ-ADJ-D for the adjuster shown left)
- Finish - Hot dip galvanised steelwork
BS EN 10219:1997. Galvanising: BS EN ISO 1461:1999. Salt mist testing: BS EN 60068-2-52

Our service offers you

- Quotations on request
- Full AutoCAD drawings support
- Site support and site surveys
- Load management calculations
- Over 20 years experience in flat roof design and providing support systems to building services
- Fast delivery (FREE on large orders)
- Experienced in-house technical staff